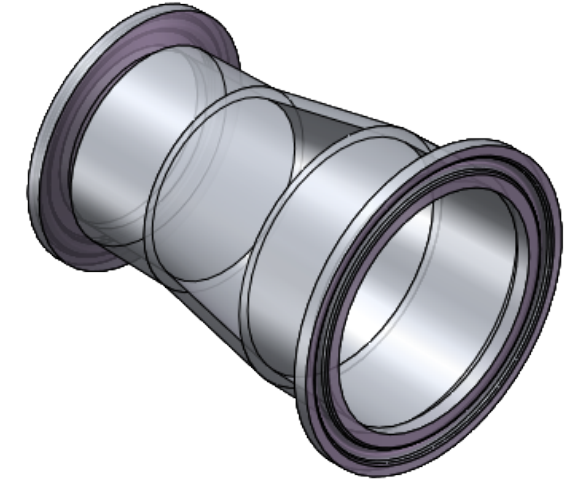
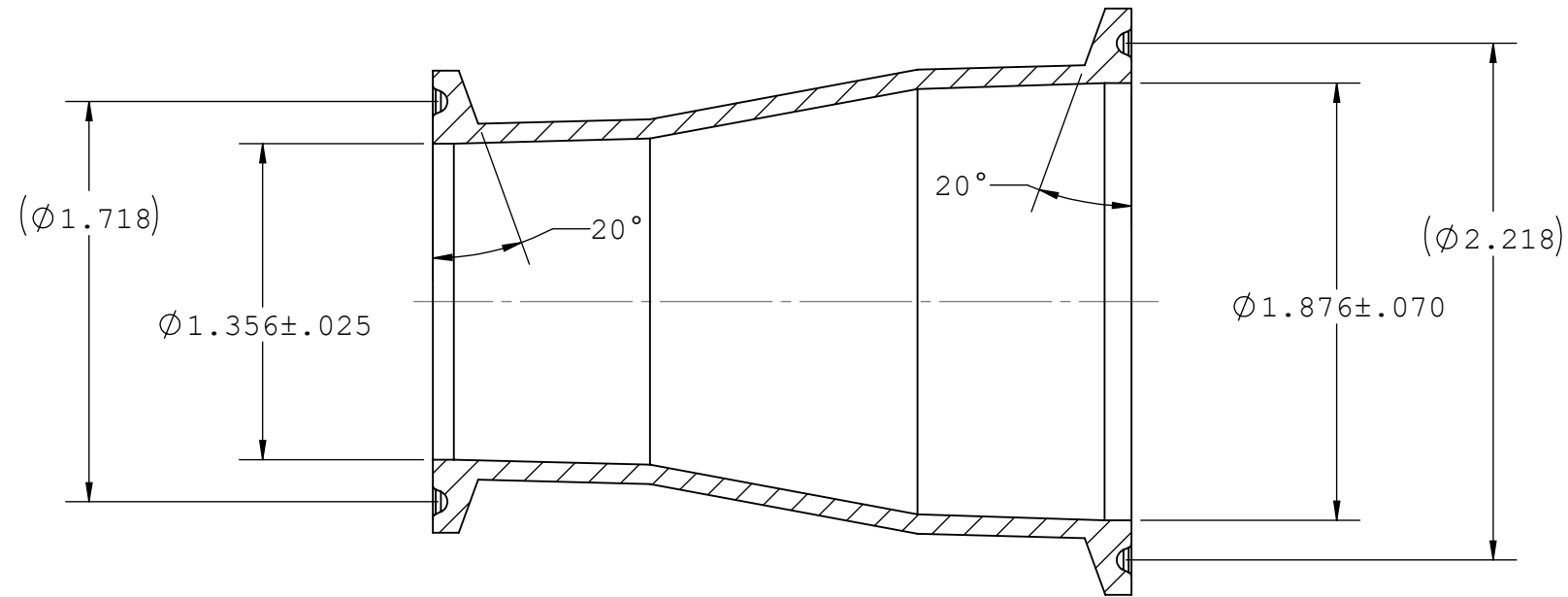
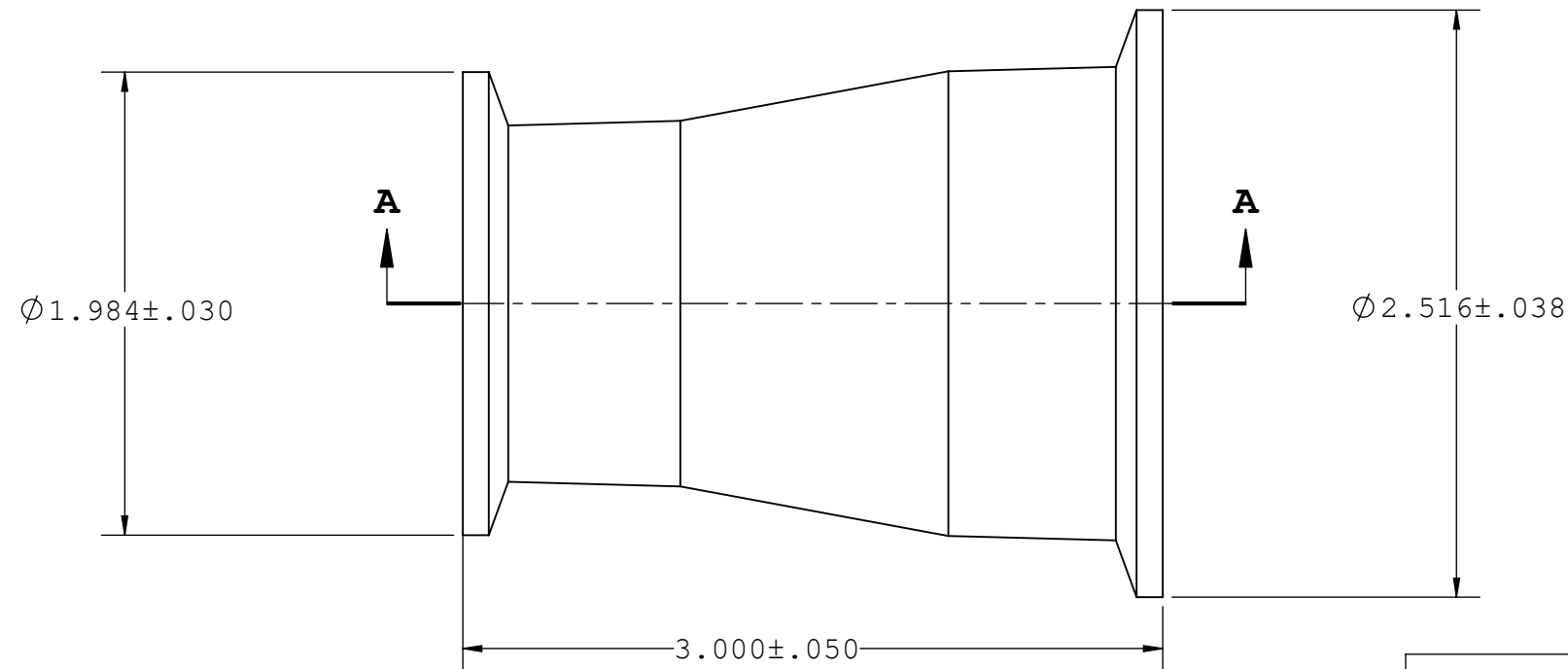


- NOTES:
1. FOR ADDITIONAL DETAILS, PLEASE CONTACT VP PRODUCT DEVELOPMENT
 2. DIMENSIONS MARKED (---) ARE CONTROL DIMENSIONS
 3. FERRULE END CAPS ARE DESIGNED TO WORK WITH COMMON COMPONENTS USED IN BIOPROCESSING INDUSTRY

REVISIONS			
REV.	DESCRIPTION	DATE	APPROVED
A	INITIAL RELEASE	03-29-19	FJL
B	ECO 1080165	05-15-19	FJL



SECTION A-A



UNLESS OTHERWISE SPECIFIED
DIMENSIONS ARE IN INCHES
TOLERANCES ARE:

FRACTIONS	DECIMAL	ANGULAR
\pm	.XX $\pm .01$	$\pm 1^\circ$
	.XXX $\pm .005$	
	.XXXX $\pm .001$	

DO NOT SCALE DRAWING

VALUE PLASTICS, INC

PART NUMBER: SFM200-SFM150

DESCRIPTION: Sanitary Fitting, Concentric Reducer
2" TC x 1-1/2" TC

DRAWN BY: Frank.Lombardi
DATE: 5/15/2019

SIZE:	SCALE:	VER:	DWG. NO.	REV
B	NTS		1078645	B

NEW PRODUCT DEVELOPMENT MGR:
Doug Kimmel

© 2007 VALUE PLASTICS, INC SHEET: 1 OF 1

FOR REFERENCE ONLY